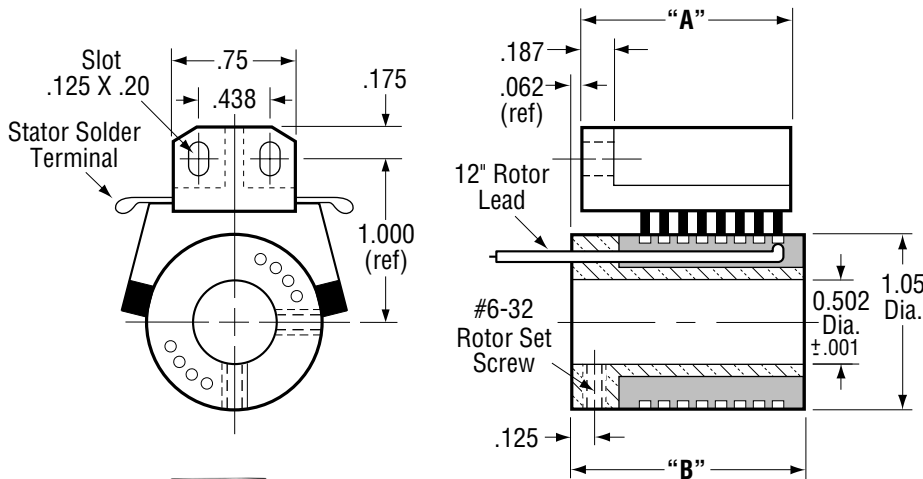


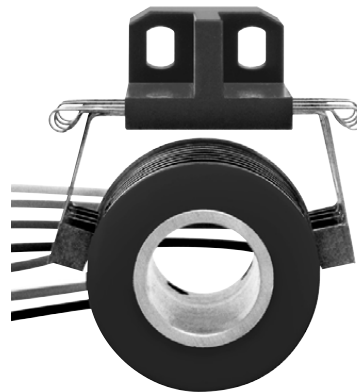
### BEST COST • .502 INCH BORE • STOCK DELIVERY



TYPE	No. of Rings	Length "A" Inches	Length "B" Inches
0902	2	.75	.88
0903	3		
0904	4	.99	1.12
0906	6		
0908	8	1.23	1.36
09010	10	1.47	1.60
09012	12	1.71	1.84
09014	14	1.95	2.08
09016	16	2.19	2.32
09020	20	2.67	2.80
09024	24	3.15	3.28



**TYPE 0908**  
P/N 0908-4BR-FAG180 pictured.



**TYPE 0908**  
P/N 0908-2BR-FAG180 pictured.

## CHARACTERISTICS

**CURRENT:** • 5 amp standard.  
• 10 amp optional.

**RINGS:** • Solid Coin Silver Rings.

**BRUSHES:** • Silver Graphite.  
• Fabricast Grade FAG 180 (80% Ag – 20% C).  
• 5 amp capacity with 2 brushes per ring (1 brush block).  
• 10 amp capacity with 4 brushes per ring (2 brush blocks).  
• Brush complement molded as unit with diallyl phthalate dielectric.

**NOISE:** • 10 Milliohms maximum dynamic resistance with 2 brushes per ring.  
• 5 Milliohms maximum dynamic resistance with 4 brushes per ring.

**HI-POT:** • 1000 VAC for 15 seconds.

**ROTOR:** • One piece aluminum sleeve.  
• Ring complement molded as unit with diallyl phthalate dielectric.

**ROTOR LEADS:** • 5 amp leads – 20 AWG per MIL-W-16878 Type "E".  
• 10 amp leads – 16 AWG per MIL-W-16878 Type "E".

**OPTIONS:** • 10 amp current carrying capacity.  
• Hard vacuum compatible.  
• Consult Fabricast for all available options.

\* Consult Fabricast for optional brush grades and characteristics (see page 14).

**COMPLETE ASSEMBLY PART NUMBER CODING** – Specify fully when ordering:

Type	Number of Brushes per Ring	Brush Grade Number	Options (If Applicable)
X	X	X	X
	(2BR or 4BR)	*(FAG180)	(10 amp, Vacuum, etc.)

For additional ordering information see page 11.

*For Mounting and Wiring Methods, RPM Range, and Operating Environment see pages 9 & 10.*

**Fabricast, Inc.**® MANUFACTURER OF SLIP RING ASSEMBLIES

TELEPHONE: (626) 443-3247  
FAX: (626) 443-5594  
E-MAIL: info@fabricast.com  
WEB SITE: www.fabricast.com