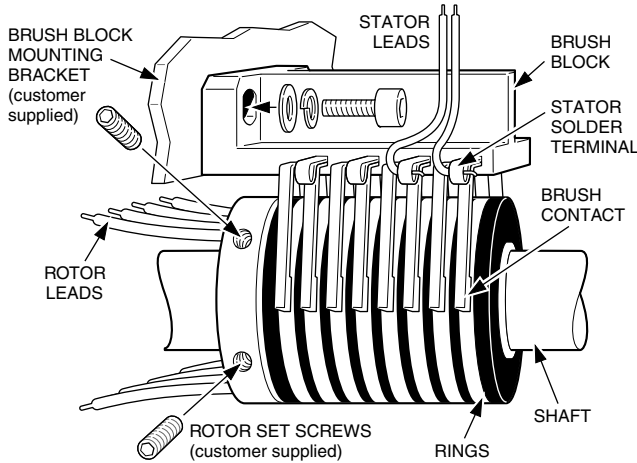


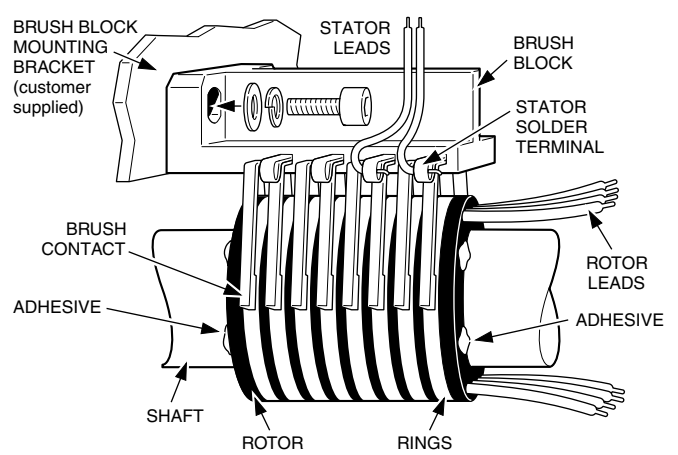
## MOUNTING METHODS

### Separate Rotor & Brush Block Assembly .50 & 2.00 INCH DIAMETER THRU BORE (Page 1 & 4 - Aluminum Rotor Structure)



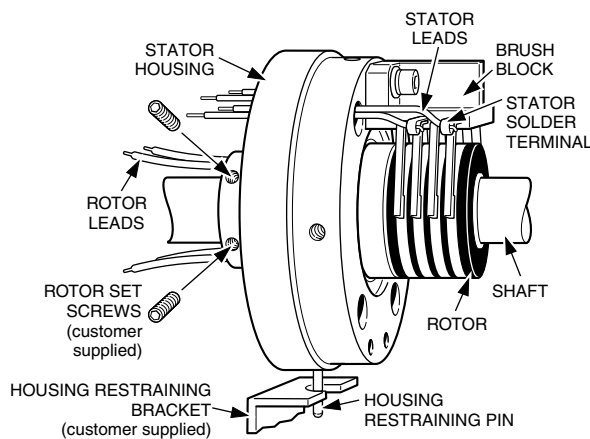
1. Rigidly mount rotor to shaft using rotor set screws.
2. Align brush block on rotor and push radially into position. Do not slide brush block axially across rotor.
3. Secure brush block to mounting bracket.
4. Verify proper alignment of brush contacts on rings.
5. If required, remove brush block and adjust axial position of brush block mounting bracket or rotor to center brush contacts on rings.
6. Solder stator leads to stator solder terminals.

### Separate Rotor & Brush Block Assembly 1.00 & 1.50 INCH DIAMETER THRU BORE (Pages 2 & 3 - No Aluminum Rotor Structure)



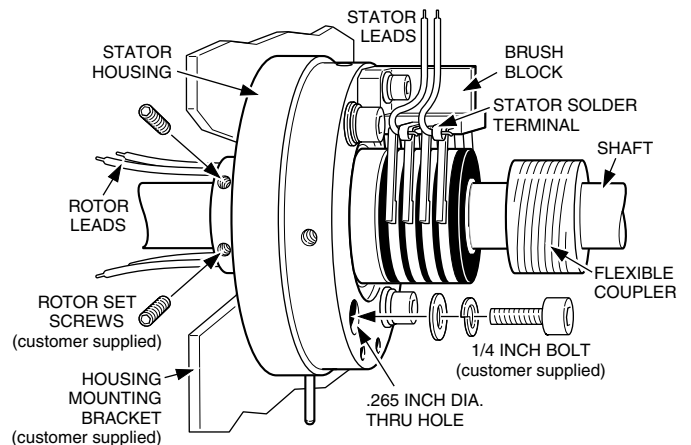
1. Rigidly mount rotor to shaft using appropriate adhesive (epoxy, Loctite®, etc.), or mechanical method (collar, wave ring, etc.).
2. Align brush block on rotor and push radially into position. Do not slide brush block axially across rotor.
3. Secure brush block to mounting bracket.
4. Verify proper alignment of brush contacts on rings.
5. If required, remove brush block and adjust axial position of brush block mounting bracket to center brush contacts on rings.
6. Solder stator leads to stator solder terminals.

### Self-Contained Assembly ROTOR RIGID / HOUSING FLOATING (Pages 5, 6, 7, and 8)



1. Rigidly mount rotor to shaft using rotor set screws.
2. Secure housing restraining pin with housing restraining bracket (customer supplied).
3. Allow housing restraining pin to float in housing restraining bracket.
4. Wire stator. See page 10.

### Self-Contained Assembly HOUSING RIGID / ROTOR FLOATING (Pages 5, 6, 7, and 8)



1. Secure slip ring housing to mounting bracket. 1/4-inch bolts can be inserted through .265 inch diameter thru holes.
2. Attach rotor using some type of flexible coupling method (customer supplied).
3. Wire stator. See page 10.

**DO NOT RIGIDLY MOUNT ROTOR AND STATOR ON SELF-CONTAINED SLIP RINGS.**

**Fabricast, Inc.**® MANUFACTURER OF  
SLIP RING ASSEMBLIES

TELEPHONE: (626) 443-3247  
FAX: (626) 443-5594  
E-MAIL: info@fabricast.com  
WEB SITE: www.fabricast.com