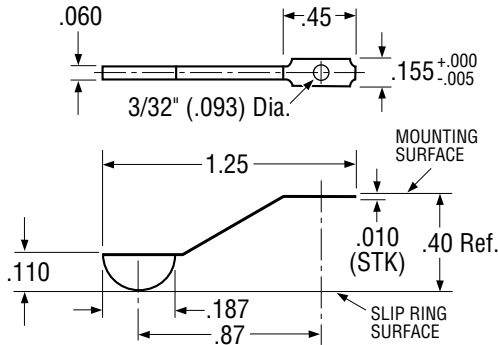


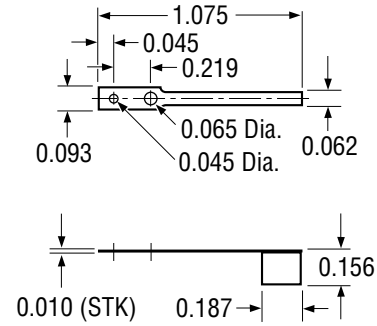
### 2 AMP CAPACITY • SINGLE BRUSH

BRUSH .040 WIDE • BRUSH MATERIAL – FAG 180 (80% AG – 20% C) • LEAF MATERIAL – BECU



**TYPE 1799**

\*ANGLE "X" NOT APPLICABLE.

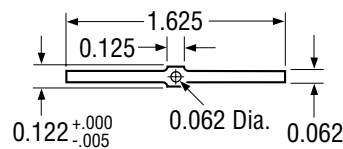


**TYPE 1120051**

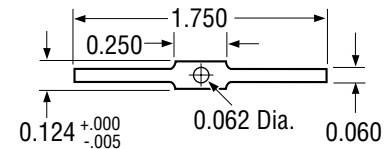
\*ANGLE "X" NOT APPLICABLE.

### 5 AMP CAPACITY • DOUBLE BRUSH

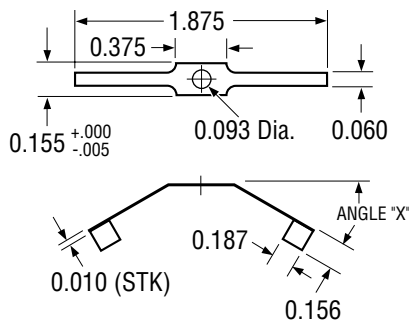
BRUSH .040 WIDE • BRUSH MATERIAL – FAG 180 (80% AG – 20% C) • LEAF MATERIAL – BECU



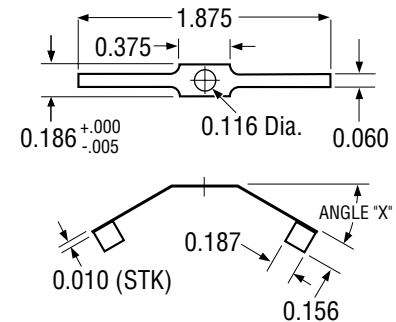
**TYPE 1103004**



**TYPE 1050006-13**



**TYPE 1050006-5**



**TYPE 1050006-2**

#### PART NUMBER CODING:

(SPECIFY FULLY WHEN ORDERING).

Type	*Angle "X" (degrees)	Brush Grade Number	Options (if applicable)
X	X	X	X

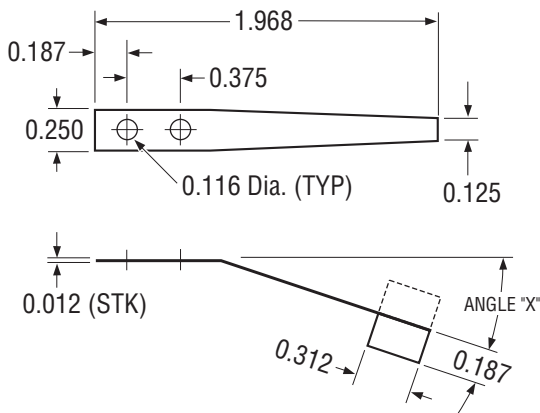
FOR FURTHER INFORMATION ON PART NUMBER CODING, OPTIONAL BRUSH CONTACT MATERIALS, DETERMINATION OF ANGLE "X", AND OPTIONS SEE PAGES 14 AND 15.

**Fabricast, Inc.**® MANUFACTURER OF SLIP RING ASSEMBLIES

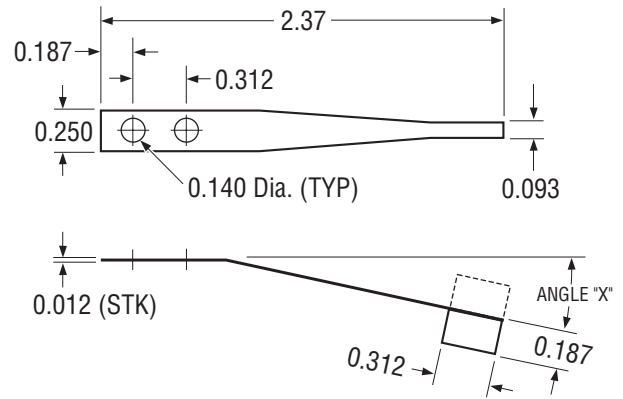
TELEPHONE: (626) 443-3247  
 FAX: (626) 443-5594  
 E-MAIL: info@fabricast.com  
 WEB SITE: www.fabricast.com

### 5 AMP CAPACITY • SINGLE BRUSH

BRUSH .090 WIDE • BRUSH MATERIAL – FAG 180 (80% AG – 20% C) • LEAF MATERIAL – BECU



**TYPE 1052005**

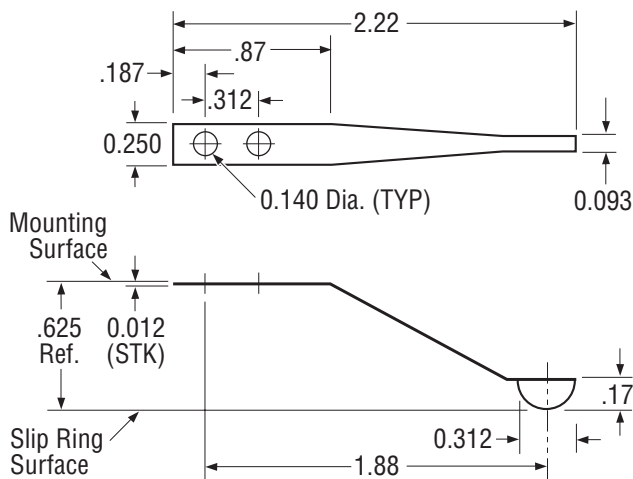


**TYPE 1117003**

OPTION: OPPOSITE HAND ASSEMBLIES AVAILABLE. OPTIONAL BRUSH LOCATION SHOWN IN PHANTOM.

### 5 AMP CAPACITY • SINGLE BRUSH

BRUSH .090 WIDE • BRUSH MATERIAL – FAG 180 (80% AG – 20% C) • LEAF MATERIAL – BECU

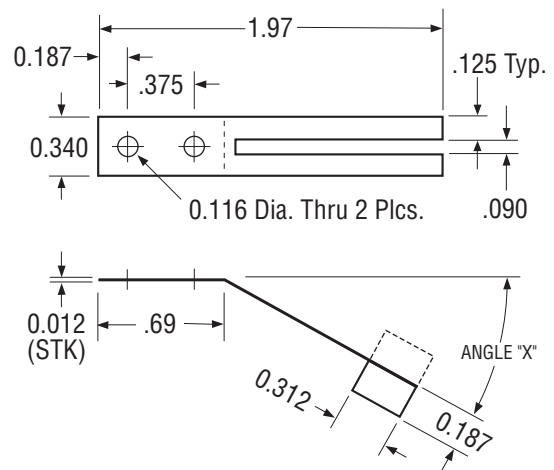


**TYPE 8115**

\*ANGLE "X" NOT APPLICABLE.

### 10 AMP CAPACITY • DOUBLE BRUSH

BRUSH .090 WIDE • BRUSH MATERIAL – FAG 180 (80% AG – 20% C) • LEAF MATERIAL – BECU



**TYPE 8091**

OPTION: OPPOSITE HAND ASSEMBLIES AVAILABLE. OPTIONAL BRUSH LOCATION SHOWN IN PHANTOM.

#### PART NUMBER CODING:

(SPECIFY FULLY WHEN ORDERING).

Type	*Angle "X" (degrees)	Brush Grade Number	Options (if applicable)
X	X	X	X

FOR FURTHER INFORMATION ON PART NUMBER CODING, OPTIONAL BRUSH CONTACT MATERIALS, DETERMINATION OF ANGLE "X", AND OPTIONS SEE PAGE 14 AND 15.

**Fabricast, Inc.**® MANUFACTURER OF SLIP RING ASSEMBLIES

TELEPHONE: (626) 443-3247  
 FAX: (626) 443-5594  
 E-MAIL: info@fabricast.com  
 WEB SITE: www.fabricast.com